



We now offer more decor
for ceilings and walls



ARCHITECTURAL
HOME DECOR
CATALOG

Do It Yourself...
Exceptional Quality at an Exceptional Price

**GREAT FOR HOME BUILDERS,
EASY AND AFFORDABLE FOR HOME OWNERS**

**Easy
30 min.
installation!**



1
Locate
stud edges



2
Cut template
from the box



3
Trace template
between studs



4
Cut and remove
drywall



5
Place Niche Decor™ and
firmly secure to wall



6
Caulk around edges
(use paintable adhesive caulk)



7
Prime and paint
to desired color

- Made of Hi-impact paintable material; does not indent or break.
- Comes with complete instructions and paint ideas.
- Fits between 16" o.c. or greater spaced wall studs.
- Accepts up to 3" diameter low voltage light. (10 W recommended)
- Niche can be primed and painted, faux-finish or gold leafed. If desired, niche can be painted before installation.
- Made in the U.S.A.



Creative
packaging



Cut template
from box

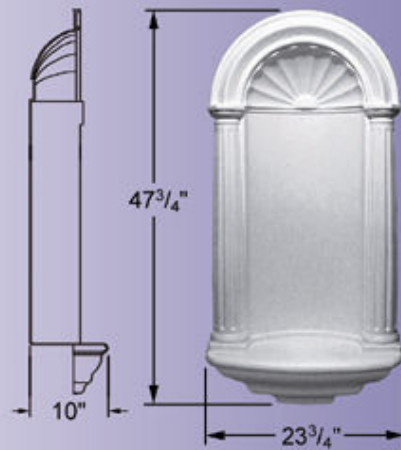


Slip niche to
box and display

A variety of styles for every space.

COLONIAL™

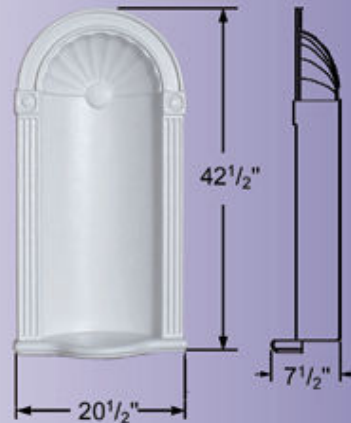
Item No. HX13423
47 3/4" x 23 3/4" x 10" Shelf



Easy to add any finish!

CRESENT™

Item No. HX13414
42 1/2" x 20 1/2" x 7 1/2" Shelf



The LEGEND™ collection



Item No. HX13410
40" x 20 1/8" x 7 1/2" Shelf

LEGEND I™



Item No. HX13411
34" x 20 1/8" x 7 1/2" Shelf

LEGEND II™

(All dimensions approx.)

The BRAVA™ collection



BRAVA I™

Item No. HX13412

40" x 20 1/8" x 7 1/2" Shelf



BRAVA II™

Item No. HX13413

34" x 20 1/8" x 7 1/2" Shelf



(Light not included)

La Petite™

Surface Mounted Wall Niche



La Petite™

Item No. HX13422

22" x 12" x 4" Shelf



- Contains center top hanger to accept a nail



- Simple and easy to hang
- Provides an instant display for your favorite collectible
- Use as is to blend beautifully with white walls or paint/faux-finish as desired

(All dimensions approx.)

CAPRI™

UNIQUE SURFACE MOUNTED WALL NICHE

PAT. PEND.



- ACCEPTS INTERIOR/EXTERIOR PAINT INCLUDING GOLD PAINT OR FAUX FINISHING.
- EASY TO INSTALL AND HANG
- MADE OF HI-IMPACT PAINTABLE MATERIAL , DOES NOT INDENT OR BREAK.
- PROVIDES AN INSTANT DISPLAY FOR YOUR FAVORITE COLLECTIBLE

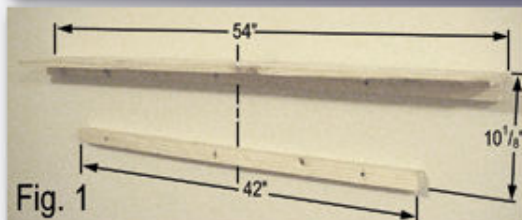
Mantel Shelf

CAPRI HENTA NO. 13444
30"x19.5"x4-3/4"

Accent™

Incredible versatility for displays

Easy 20 minute installation (approx. time)



Comes with 6" x 54" shelf board for support and rigidity, pre-drilled screw holes and 6 screws. (2x2 wood nailers not included)



Available with simple, DIY installation manual



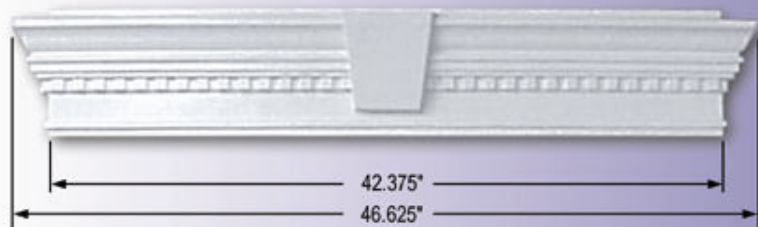
Accent™
Mantel Shelf
Item No. HX13426

- Nail the two 2x2 nailers as shown in Fig. 1.
- Use wood screws to fasten shelf board over the top 2x2 nailer.
- Using caulking gun, spread a caulk bead over shelf board.
- Slip mantel over the shelf board; use finishing nails all around to secure.
- Prime and paint to desired finish.

(All dimensions approx.)

Door/Window Pediment

KEYSTONE™



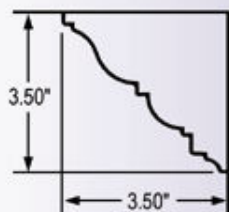
KEYSTONE™
Door/Window Pediment
Item No. HX13427



- Easy to install
- Fits 3' standard door or smaller

Crown Moulding

ROYAL™



ROYAL™
Crown Moulding Strip
Item No. HX13431



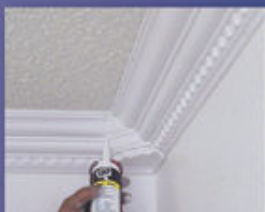
Starting with the corner, use 1"- 1.25" brads or finishing nails to secure part to wall.



Measure length of trim, mark and install joiner centered in mark.



Caulk, set in place and secure trim with nails.



Caulk seams and remove excess. Prime and paint as desired.

Corners and joiners are pre-drilled to accommodate cables and wiring for home entertainment centers, home security systems, etc.



ROYAL™
Crown Moulding
Outside Corner
Item No. HX13433



ROYAL™
Crown Moulding
Inside Corner
Item No. HX13432



ROYAL™
Crown Moulding
Joiner
Item No. HX13434

ROYAL™ Crown Moulding Package Item No. HX13443

- 14 4'-0" ea. Strips, No. HX13431
- 10 Joiners, No. HX13434
- 4 Inside Corners, No. HX13432
- 2 Outside Corners, No. HX13433
- 1 Pack of nails and drill bit
- A complete, detailed, step by step manual included
- Ideal for a 12' x 16' room

(All dimensions approx.)

Do It Yourself... The **Ceiling Touch**TM

**GREAT FOR NEW CONSTRUCTION,
EASY AND AFFORDABLE
FOR HOME REMODELERS**

Easy Installation!



Open and fit around existing fixtures.



Caulk in points inside and outside edge (use adhesive paintable latex caulk).



Caulk around crack, sand, prime and paint.



The ceiling medallions can be easily installed around existing fixtures.

Optional hair crack access available on all medallions. Specify 'C' after product number when ordering.



CATINATM

Item No. HX13415
19.50" Diameter

Accepts 5.125" Flange or smaller



ROSETTATM

Item No. HX13421
36.00" Diameter

Accepts 5.125" Flange or smaller



PLANOTM

Item No. HX13416
19.50" Diameter

Accepts 5.125" Flange or smaller



DAISYTM

Item No. HX13425
28.00" Diameter

Accepts 5.125" Flange or smaller



TULIPTM

Item No. HX13424
28.00" Diameter

Accepts 6" Flange or smaller

(All dimensions approx.)

Door Casing Collection

Easy to install door casing. Fits most standard door sizes

We offer a kit that includes: strips, corners and bases.

Casings available in a package or as separate items.

ROPE™ Casing Package



Corner Block

Item No. HX13429

(Also fits with CONTEMPO strip)

Moulding Strip

Item No. HX13428

ROPE™

Casing Package

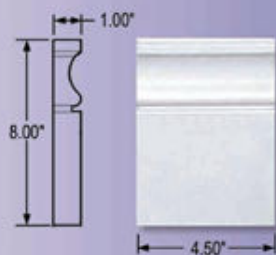
Item No. HX13435

Package Includes:

Corner Block HX13429 (2) ea.

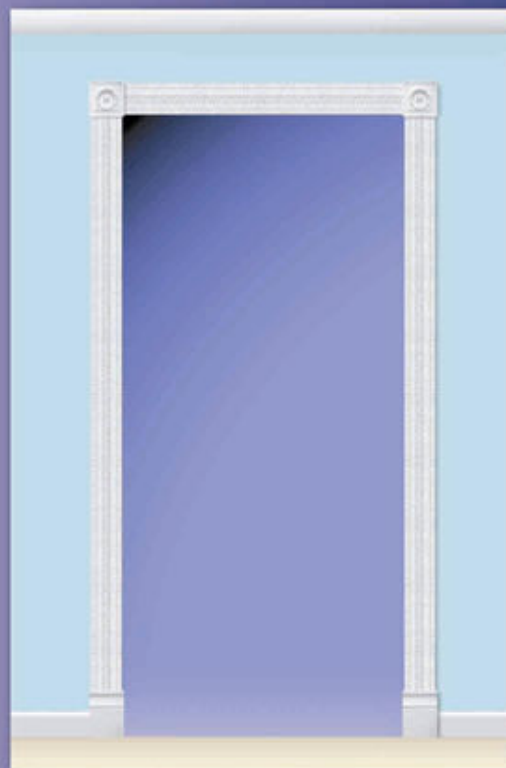
Moulding Base HX13430 (2) ea.

Moulding Strip HX13428 6'-6" (3) ea.

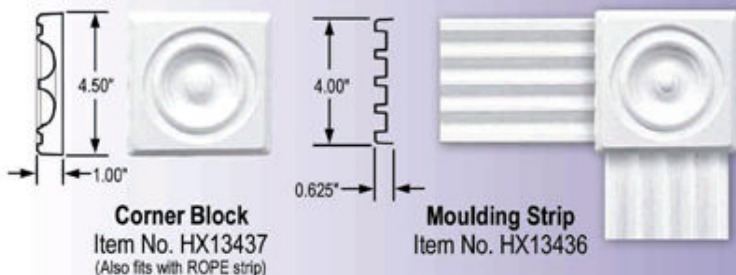


Rope/Contempo Moulding Base

Item No. HX13430



CONTEMPO™ Casing Package



Corner Block

Item No. HX13437

(Also fits with ROPE strip)

Moulding Strip

Item No. HX13436

CONTEMPO™

Casing Package

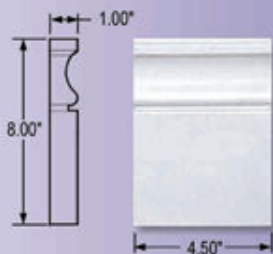
Item No. HX13440

Package Includes:

Corner Block HX13437 (2) ea.

Moulding Base HX13430 (2) ea.

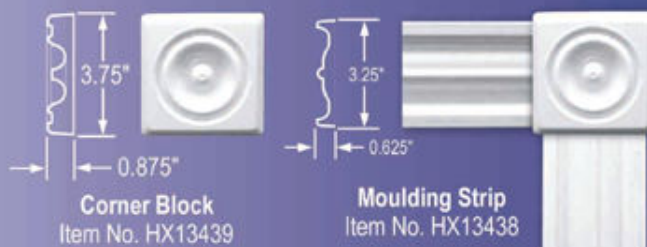
Moulding Strip HX13436 6'-6" (3) ea.



Rope/Contempo Moulding Base

Item No. HX13430

TWINE™ Casing Package



Corner Block

Item No. HX13439

Moulding Strip

Item No. HX13438

TWINE™

Casing Package

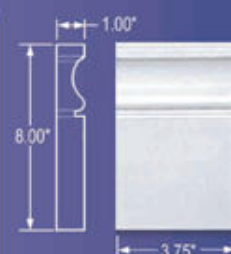
Item No. HX13441

Package Includes:

Corner Block HX13439 (2) ea.

Moulding Base HX13442 (2) ea.

Moulding Strip HX13438 6'-6" (3) ea.



Twine Moulding Base

Item No. HX13442

(All dimensions approx.)

All products
designed, patented,
& manufactured by:



www.hentaproducts.com sales@hentaproducts.com

7334 Caribou
San Antonio, TX 78238
(800) 473-4682
FAX (210) 681-0404